

**SPEC SHEET**  
PX1006

Interchangeable with  
CEC Model 1006

# ULTRA HIGH STABILITY THIN FILM DIFFERENTIAL PRESSURE TRANSDUCER

**PX1006 Series**  
**mV/V Output**

**0-15 to 5,000 psid**

**0-1 to 350 bar**

**Differential Pressure**

1 bar = 14.5 psi

1 kg/cm<sup>2</sup> = 14.22 psi

1 Atmosphere = 14.7 psi = 29.93

in-Hg = 760.2 mm-Hg = 1.014 bar

- ☑ High Accuracy High Stability Wet/Dry Differential Pressure
- ☑ All Stainless Steel Body for Harsh Industrial Environments
- ☑ High Overpressure Capability
- ☑ Broad Compensated Temperature Range
- ☑ Shock and Vibration Resistant

The Series PX1006 wet-dry, differential pressure transducers are high stability unidirectional differential pressure transducers utilizing a sputtered strain gage assembly. The sputtering method produces an ultra stable high temperature sensor that can withstand high shock and vibration environments. The wet chamber is all stainless steel and is compatible with most industrial fluids. The reference chamber is limited to dry, non-corrosive, non-conductive fluids and gases.

**For Sales and Service  
In U.S.A. and Canada**

**1-800-872-3963<sup>SM</sup>**  
**1-800-USA-DYNE**

**International Customers Dial  
(614) 965-9340**

**24-Hour FAX (614) 965-9438**

**OMEGADYNE<sup>SM</sup> FAX**

OMEGADYNE's 24-Hour  
On-Line Publishing Service

**1-800-344-3963<sup>SM</sup>**  
**1-800-DIG-DYNE**

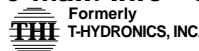
Document # 3730

**OMEGADYNE, Inc.**

149 Stelzer Court, Sunbury, OH 43074

<http://www.omegadyne.com>

e-mail: [info@omegadyne.com](mailto:info@omegadyne.com)



© COPYRIGHT 1996 OMEGADYNE, INC. ALL RIGHTS RESERVED.



**\$1350**  
Model Shown

**Model PX1006D1-100DV**  
Shown Actual Size

➔ **Most Popular Models Highlighted** ◀

Prices Shown in U.S. Dollars

<b>To Order: (Specify Model Number)</b>			
<b>Unidirectional Wet-Dry Thin Film Differential Pressure Transducer</b>			
<b>Range (psid)</b>	<b>Model Number</b>	<b>Price</b>	<b>Compatible Meters</b>
0-15	PX1006K1-015DV	\$1350	INFS, INFCS
0-25	PX1006K1-025DV	1350	INFS, INFCS
0-50	PX1006K1-050DV	1350	INFS, INFCS
0-100	PX1006K1-100DV	1350	INFS, INFCS
0-500	PX1006K1-500DV	1350	INFS, INFCS
0-1,000	PX1006K1-1KDV	1350	INFS, INFCS
0-1,500	PX1006K1-1.5KDV	1350	INFS, INFCS
0-2,000	PX1006K1-2KDV	1350	INFS, INFCS
0-2,500	PX1006K1-2.5KDV	1350	INFS, INFCS
0-5,000	PX1006K1-5KDV	1350	INFS, INFCS

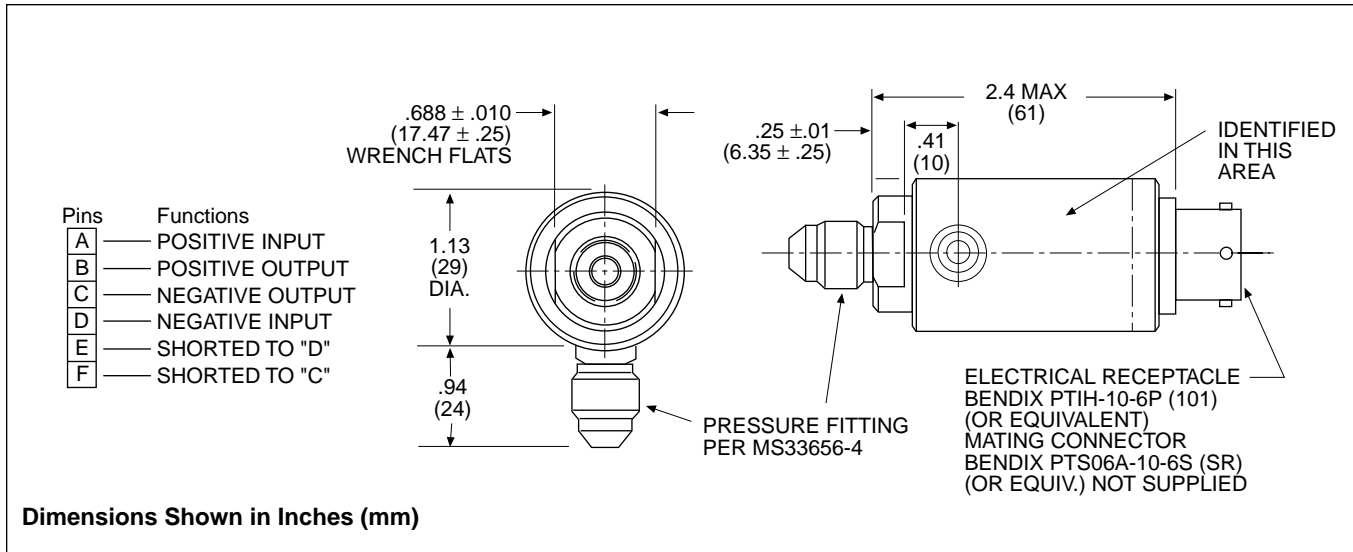
Interchangeable with CEC Model 1006

Metric Ranges Available - Consult Engineering

**Ordering Examples:** 1.) **PX1006K1-500DV** is a 500 psid Wet/Dry differential pressure transducer with mV/V output and integral connector, **\$1350**. Mating connector (not included), **PT06A-10-6S, \$26.50**. 2.) **PX1006K1-015DV** is a 15 psid Wet/Dry differential pressure transducer with mV/V output and integral connector, **\$1350**. Mating connector (not included), **PT06A-10-6S, \$26.50**.

Printed On Recycled Paper





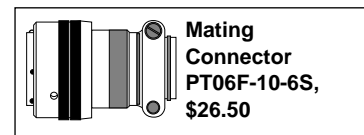
**SPECIFICATIONS:**

**Electrical:** mV/V Output  
**Excitation:** 5 Vdc (15V max)  
**Output:** 3 mV/V nominal (2.6 mV/V min)  
**Bridge Resistance:** 350 ohms nominal  
**Zero Balance:** 0mV ±2% FSO  
**Input Resistance:** 400 ± 100 ohms  
**Output Resistance:** 400 ± 100 ohms

**Performance:**

**Accuracy:** ±0.25% FSO Linearity, Hysteresis and Repeatability Combined  
**Hysteresis:** <0.1% FSO  
**Repeatability:** <0.05% FSO  
**Zero Shift With Line Pressure:**  
 Line Pressure ≤ 3 psia: <1.5%  
 Line Pressure 3 to 15 psia: <0.25%  
 Line Pressure >15 psia: <2.5%  
**Sensitivity Shift With Line Pressure:**  
 <0.5% per 100 psi  
**Environmental:**  
**Operational Temp Range:**  
 -54 to +149°C (-65 to +300°F)  
**Compensated Temp Range:**  
 -54 to +121°C (-65 to +250°F)  
**Thermal Effects:**  
 Zero: ±0.005% FSO/°F  
 Span: ±0.005% Rdg/°F  
**Full Scale Output Stability:** Less than 0.05% FSO for two (2) hours at room temperature. Less than 0.10% FSO for two (2) hours at 250°F (121°C).  
**Zero Stability:** Less than 0.05% FSO for two (2) hours at room temperature. Less than 0.10% FSO for two (2) hours at 250°F (121°C).  
**Pressure:**  
**Ranges psid:** 5, 10, 20, 30, 50, 100, 300, 500

**Safe Over Pressure:** 200% rated pressure or 15,000 psi whichever is less  
**Burst Pressure:** 300% rated pressure or 20,000 psi whichever is less  
**Reference Chamber Pressure Range:** 0-400 psi  
**Mechanical:**  
**Media Compatibility:** Wet Connection: 17-4 PH Stainless Steel  
 Dry Connection: Clean, Dry, non-corrosive, non-conductive fluids  
**Natural Frequency:** 50,000 Hz @ 5,000 psi decreasing logarithmically to 5,000 Hz @ 15 psi  
**Shock:** 100 g half-sine wave for an 11 ms duration  
**Vibration:** 35g peak sinusoidal vibration from 10 Hz to 2 kHz limited to ½" D.A  
**Pressure Port:** MS33656-4 (¼"-20 F)  
**Electrical Connection:** PT1H-10-6P (or equal)  
**Mating Connector:** PT06F-10-6S (not included)  
**Weight:** 5oz (142g) maximum



**Look for OMEGADYNE Products on the World Wide Web!**  
<http://www.omegadyne.com>  
 e-mail: [info@omegadyne.com](mailto:info@omegadyne.com)